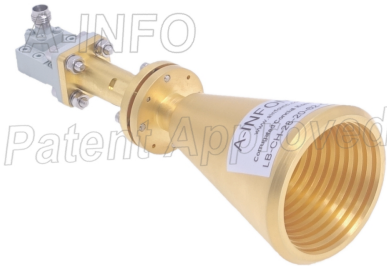


For reference only. See data sheet for the detailed specifications.

Technical Specification



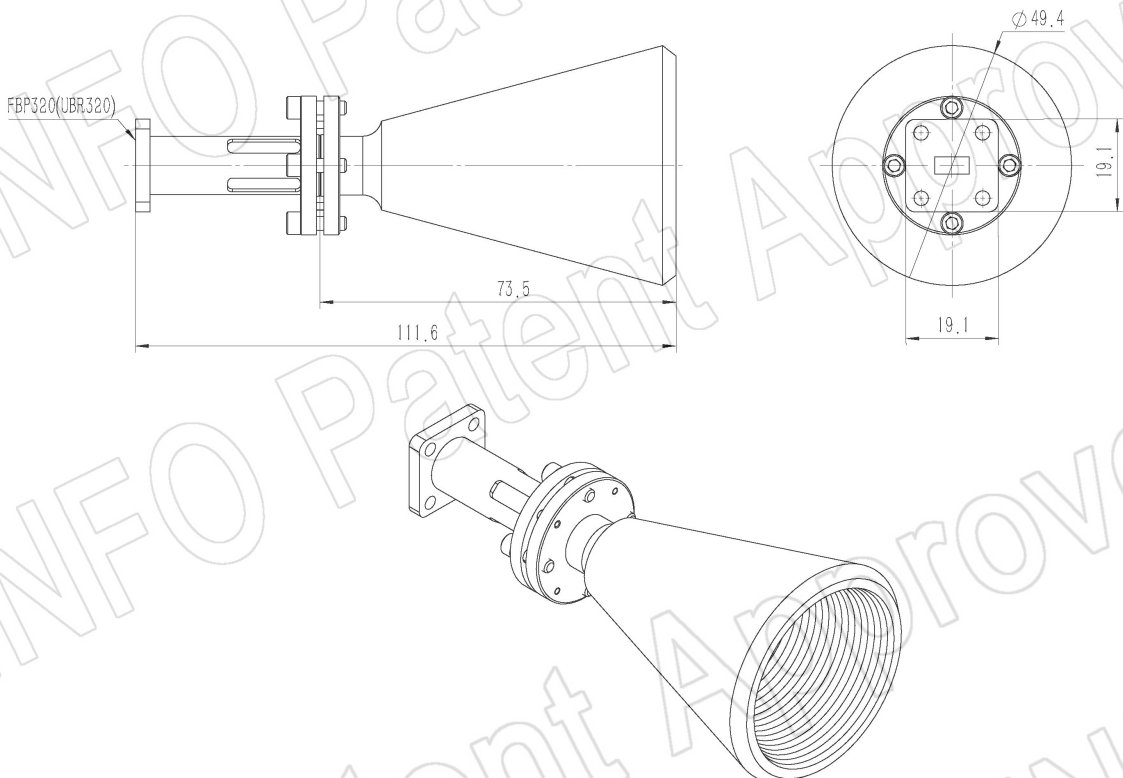
Frequency Range(GHz)	23.5 – 43.5
Waveguide	WR28
Gain(dBi)	20 Typ.
Polarization	Linear
3dB Beamwidth(deg)	E Plane: 16 Typ.
	H Plane: 17 Typ.
Cross Pol. Isolation(dB)	40 Typ.
VSWR	A Type: 1.25:1 Typ.
	C Type: 1.40:1 Typ.
Output	A Type: FBP320(UBR320)
	C Type: 2.4mm-Female or 2.92mm-Female
Material	Al
Finish	Gold Plated, Gray Paint
Size(mm)	A Type: 49.4 x 49.4 x 111.6
	C Type: 49.4 x 49.4 x 134.4
Net Weight(Kg)	A Type: 0.11 Around
	C Type: 0.15 Around

PATENT ID (China)

ZL202220615760.3, ZL202130553080.4

Outline Drawing (Size: mm)

FBP320 Output (P/N: LB-CH-28-20-62-A)



AINFO Inc.

China(Beijing):
China(Chengdu):
USA :

Tel: (+86) 10-6266-7326,
Tel: (+86) 28-8519-2786,
Tel: (+1) 949-639-9688,

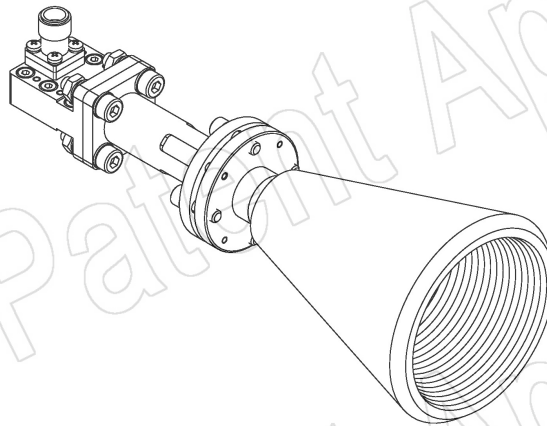
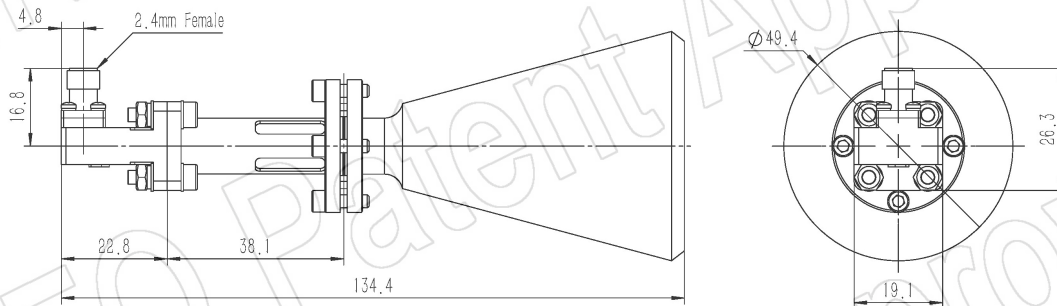
(+86) 10-6266-7327
(+86) 28-8519-3044
(+1) 949-639-9608

Fax: (+86) 10-6266-7379
Fax: (+86) 28-8519-3068
Fax: (+1) 949-639-9670

Website: www.ainfoinc.com
Email: sales@ainfoinc.com

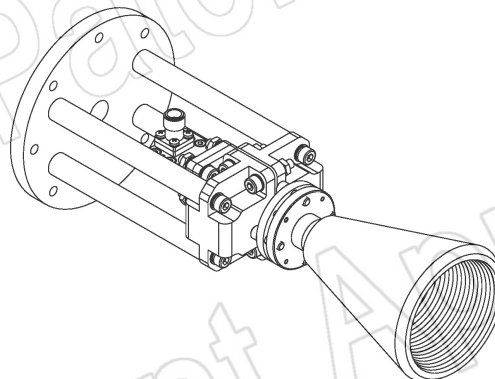
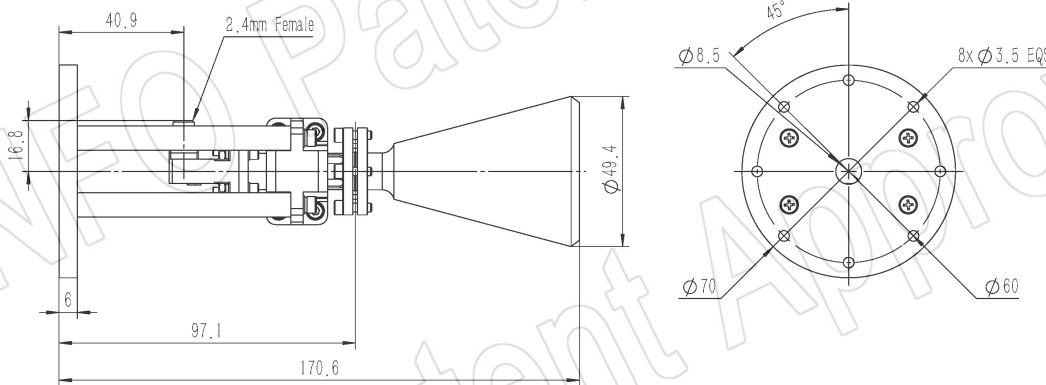
2.4mm-Female Output (P/N: LB-CH-28-20-62-C-2.4F)

For 2.92mm-Female output outline drawing, please contact A-INFO.



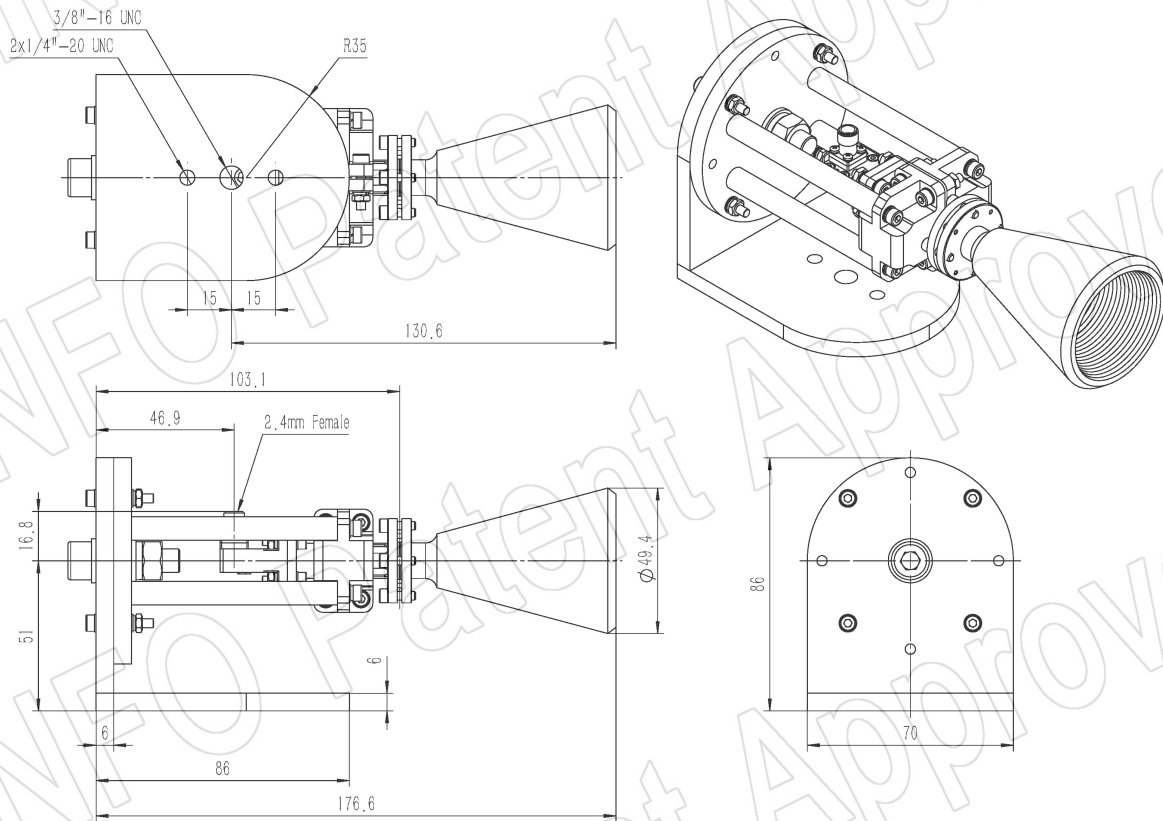
2.4mm-Female Output with Round Mounting Bracket (Option, P/N: LB-CNH-28-20-MB)

For 2.92mm-Female output outline drawing, please contact A-INFO.

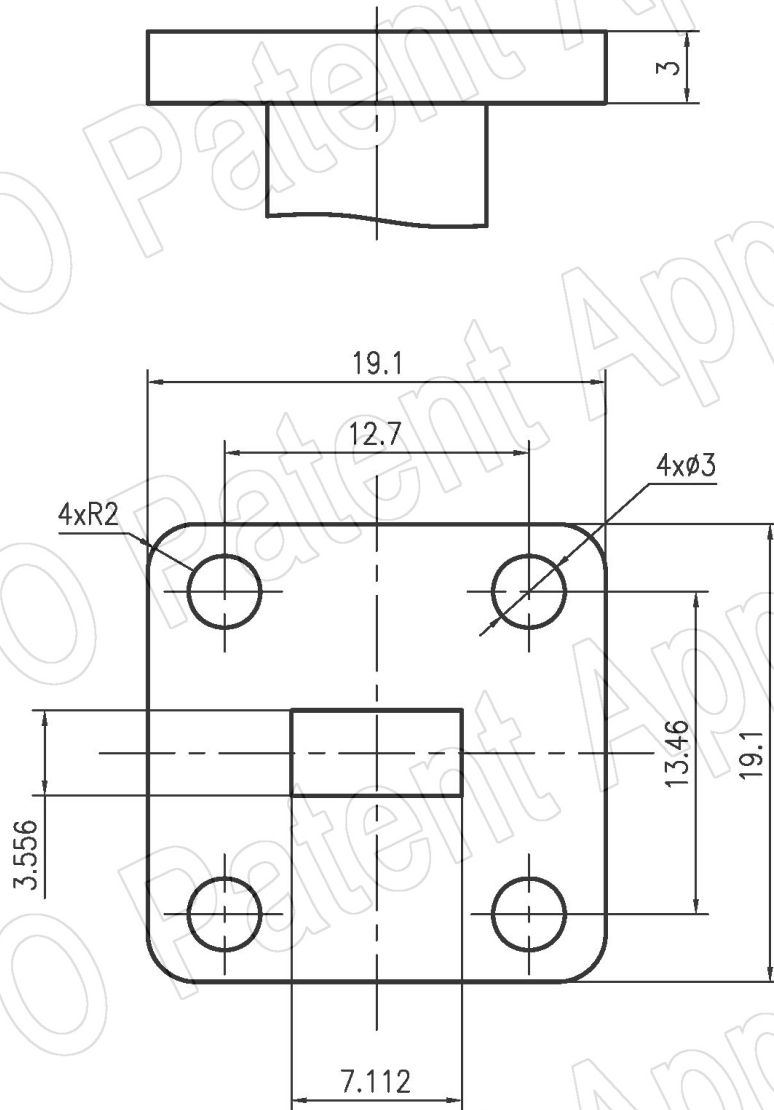


2.4mm-Female Output with L Type Mounting Bracket (Option, P/N: LB-CNH-28-20-MBL)

For 2.92mm-Female output outline drawing, please contact A-INFO.



Flange Drawing (Size: mm)



FBP320

AINFO Inc.

China(Beijing):
China(Chengdu):
USA :

Tel: (+86) 10-6266-7326,
Tel: (+86) 28-8519-2786,
Tel: (+1) 949-639-9688,

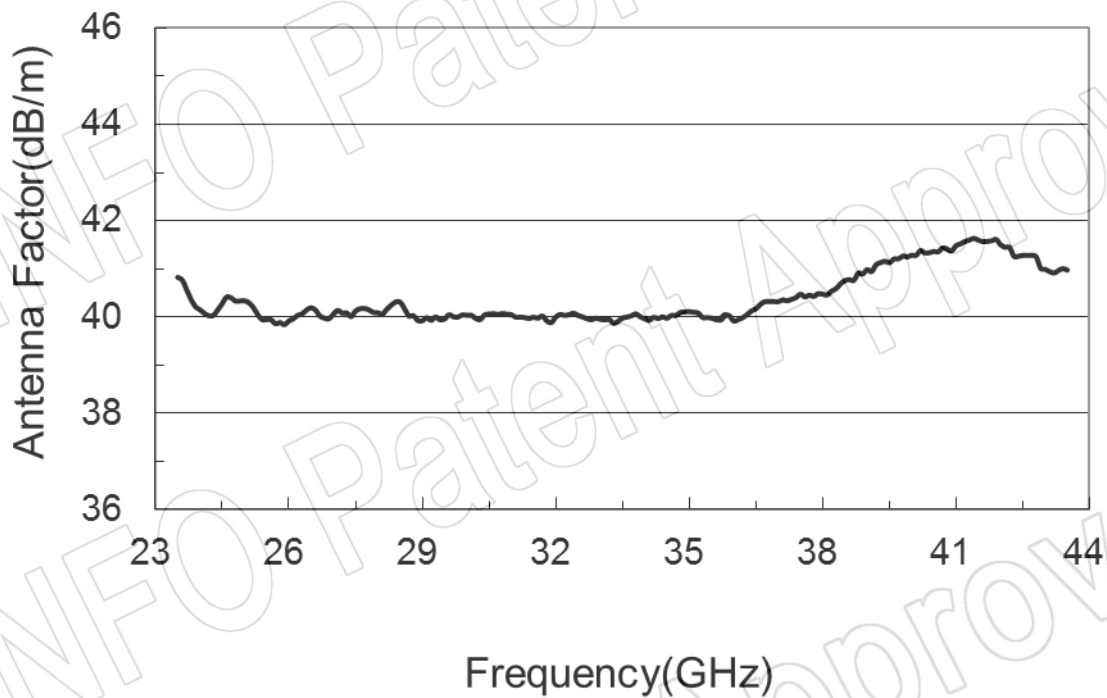
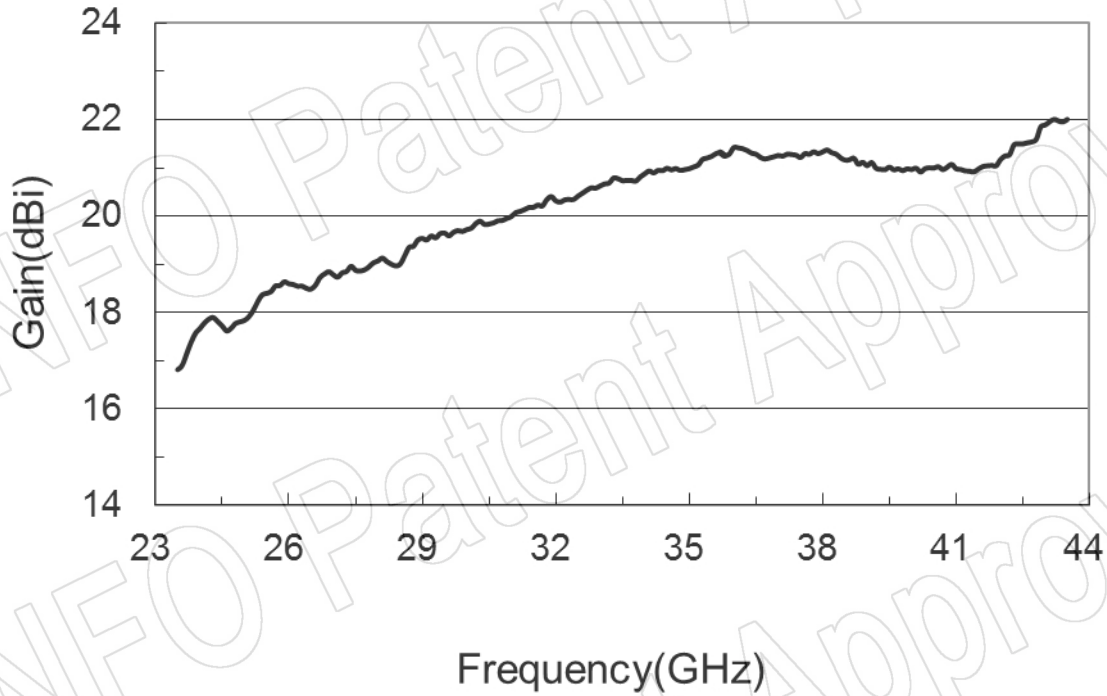
(+86) 10-6266-7327
(+86) 28-8519-3044
(+1) 949-639-9608

Fax: (+86) 10-6266-7379
Fax: (+86) 28-8519-3068
Fax: (+1) 949-639-9670

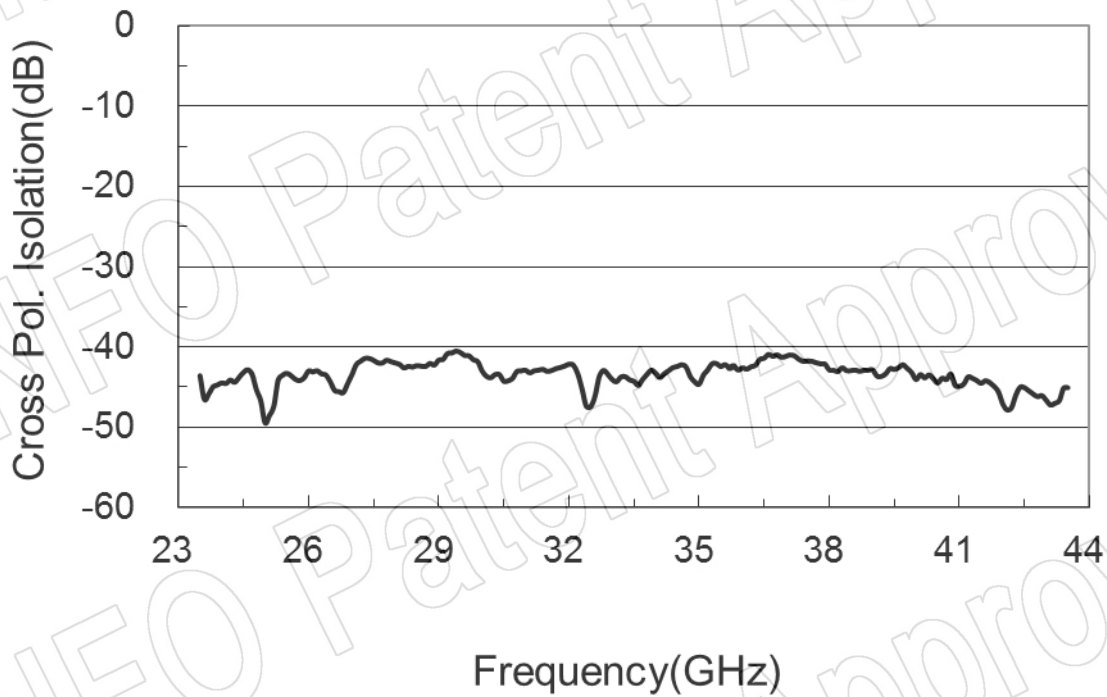
Website: www.ainfoinc.com
Email: sales@ainfoinc.com

Test Results

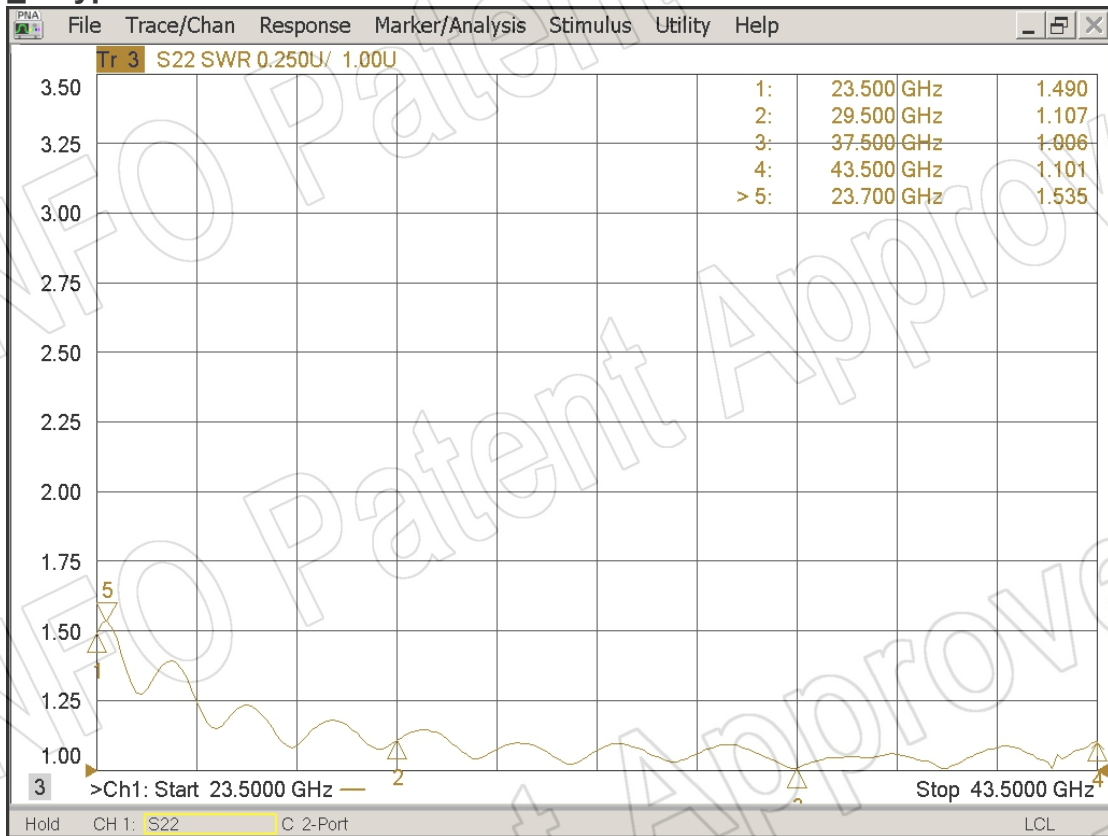
1. Gain & Antenna Factor



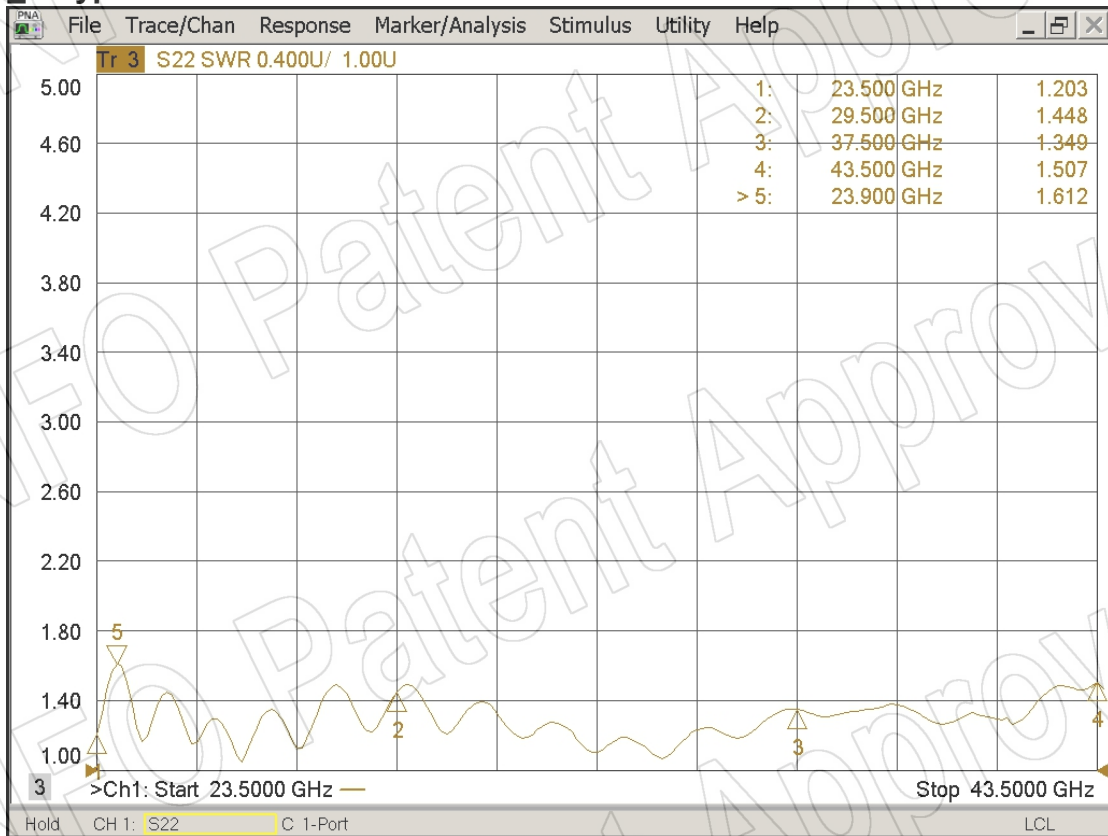
2. Cross Polarization Isolation



3. VSWR A Type



VSWR_C Type



4. Pattern

